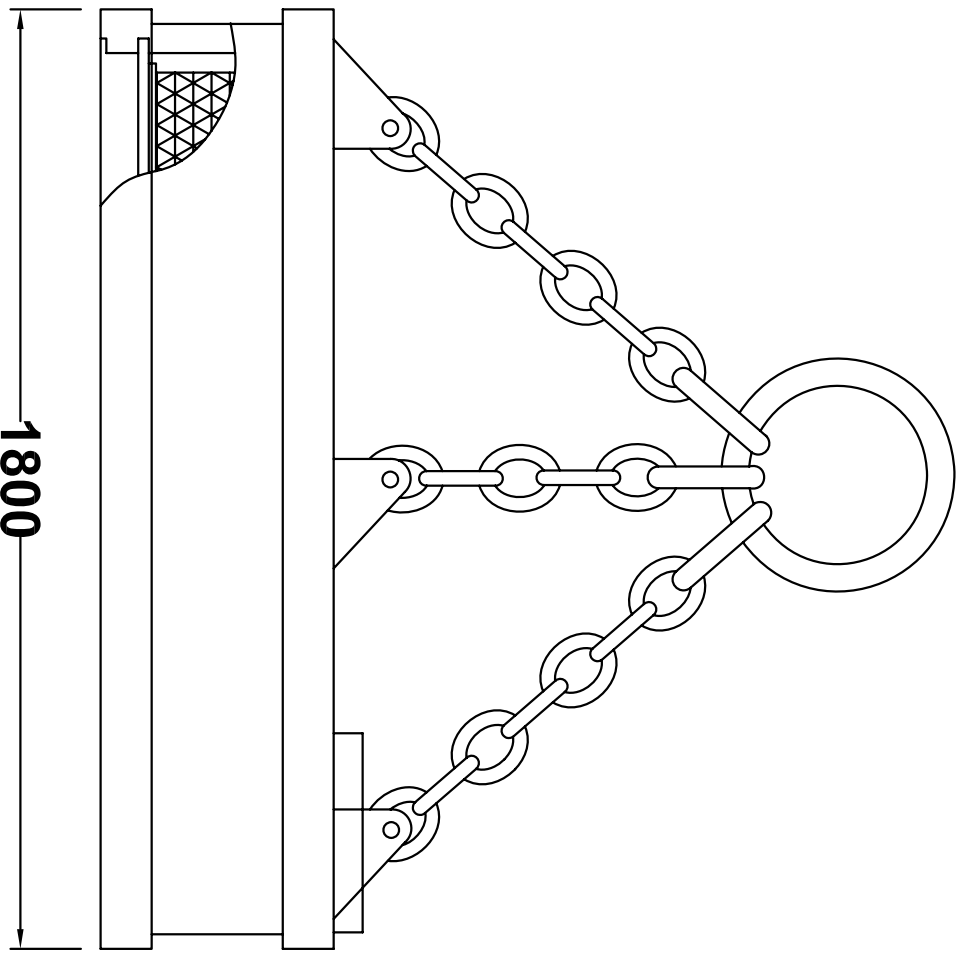


1 2 3 4 5 6 7 8

MAGNET SPECIFICATION	
WEIGHT	5000 KGS
VOLTS	220V D.C.
CURRENT COLD	100 Amp
CURRENT HOT	70 Amp
DUTY CYCLE	75% ON 10 MINUTES
POWER RATING	22 KW
CONDUCTOR	ALLUMINIUM



CLIENT:-	DRAWN	B.DUTTA
ORDER NO.:-	DESIGNED	M.B.S
W.ORDER NO.:-	CHECKED	
	APPROVED	
	SCALE	N.T.S
	DATED	05.04.2011

ISC America
P.O. Box 1681, Menton Ohio
United States of America
Ph. +14402908947
Email : info@iscamerica.us
Site : www.iscamerica.us

TITLE:	G.A. DRAWING OF 1800 mm CIRCULAR LIFTING MAGNET		
DRG. No.	REV.NO. & DATE	0	
	COMP.FILE NO.		
	SHEET NO.		